

624

# SERVICE MANUAL

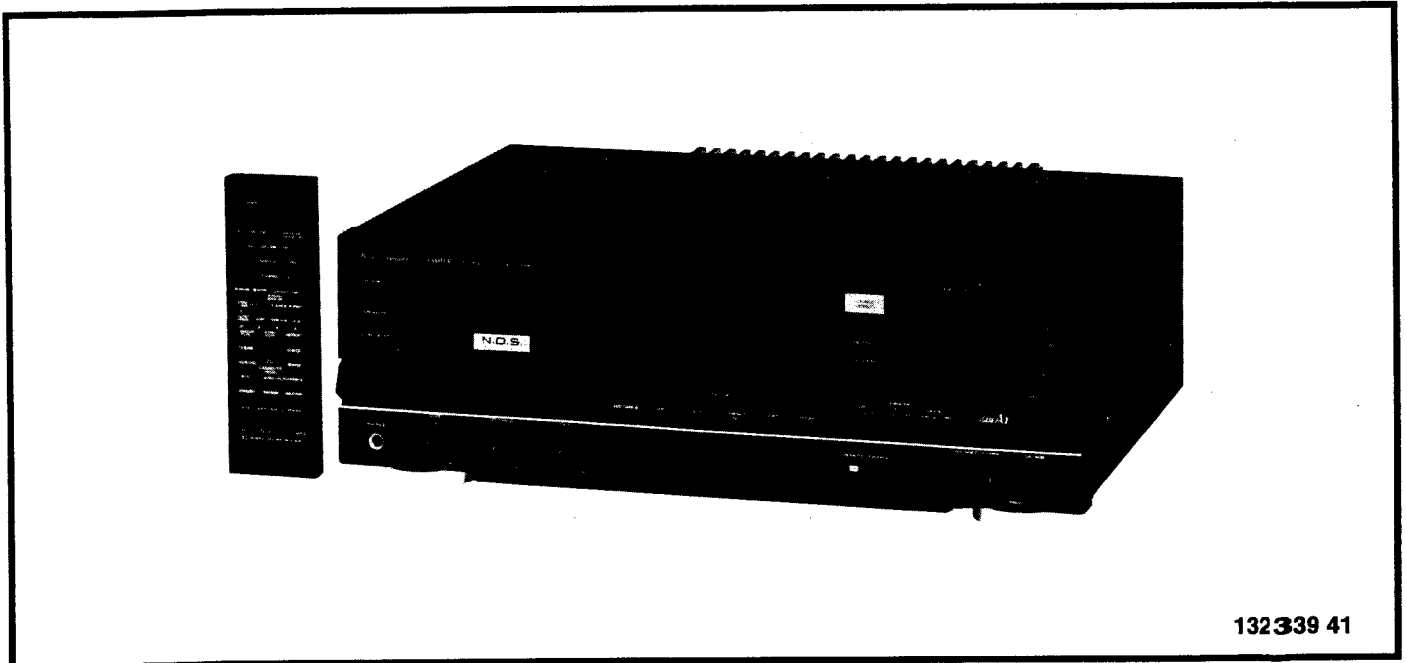


# FISHER

## INTEGRATED STEREO AMPLIFIER

# CA-905

(EUROPE)



132339 41

### SPECIFICATIONS

Remote Control (RCA-905) ..... 37-button,  
wireless remote control

#### POWER AMPLIFIER SECTION

Minimum RMS sine wave power per channel  
within stated bandwidth at no more than stated  
distortion and with 8-ohm load ..... 80 W (DIN)  
Power Bandwidth ..... 40 Hz - 20 kHz  
Total Harmonic Distortion ..... 0.05 %  
I.M. Distortion ..... 0.05 %  
Speaker Damping ..... > 40

#### PREAMPLIFIER SECTION

Frequency Response  
Phono (RIAA) ..... ±1 dB  
Aux (20 Hz - 20 kHz) ..... ±1 dB  
Input Sensitivity and Impedance  
Phono ..... 2.5 mV/50 kΩ  
Tape Monitor 1, 2,3 ..... 150 mV/50 kΩ  
Tuner/CD/Aux ..... 150 mV/50 kΩ

Phono Max. Input Capability ..... 170 mV  
Tone Controls  
Bass (100 Hz) ..... ±10 dB  
Mid Range (1 kHz) ..... ±10 dB  
Treble (10 kHz) ..... ±10 dB  
Subsonic Filter (Below 20 Hz) ..... - 12 dB/Oct.  
Loudness Contour (100 Hz/10 kHz) ..... +1 dB/+4 dB  
Hum and Noise (DIN)  
Phono ..... 75 dB  
Tape Monitor 1, 2,3 ..... 90 dB  
Tuner/CD/Aux ..... 90 dB  
Source Direct ..... 93 dB

#### GENERAL

Power Requirements ..... 220 V  
(50 Hz) ..... 400 W  
AC Outlets ..... 3  
Dimensions (WxHxD) ..... 440x48x335mm  
Weight (approx.) ..... 8.8 kg

- Specifications and design are subject to change without notice. -

REFERENCE No. WM-570333

624

## POWER AMPLIFIER ADJUSTMENT

### BEFORE ADJUSTMENT

Unplug the AC power cord and set the front panel controls as follows:

- Power switch to OFF position.
- Set the SPEAKERS switch to the OFF position.
- Turn the MASTER VOLUME Control to minimum.
- IDLING CURRENT ADJUSTMENT VR201/VR202 (on the Main P.C.Board) setting to mechanical center position.
- Connect the AC power cord and Power switch to the ON position.

### IDLING CURRENT ADJUSTMENT

This adjustment is very sensitive to changes in ambient temperature. Allow set to operate for 2 minutes before attempting this alignment.

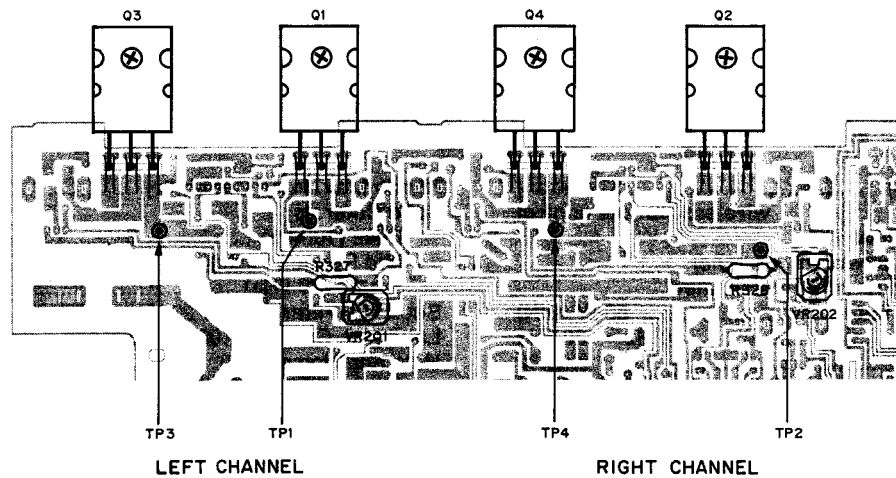
#### LEFT AMPLIFIER

1. Connect the DC Voltmeter between Testpoint TP1 and TP3 on the Main P.C.Board.
2. Adjust the VR201 for an indication of 10mV ~ 20mV on the DC Voltmeter.

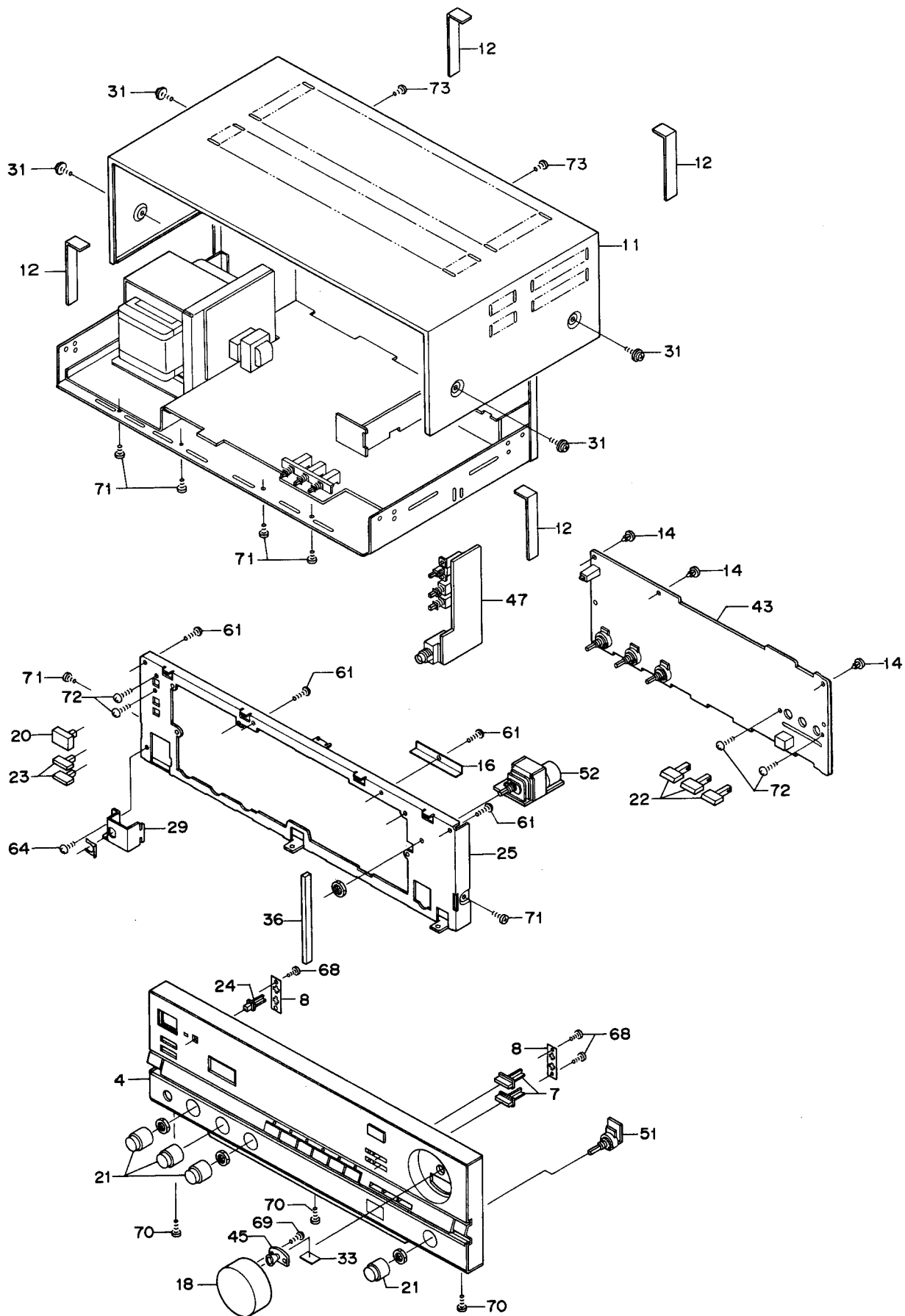
#### RIGHT AMPLIFIER

1. Connect the DC Voltmeter between Testpoint TP2 and TP4 on the Main P.C.Board.
2. Adjust the VR202 for an indication of 10mV ~ 20mV on the DC Voltmeter.

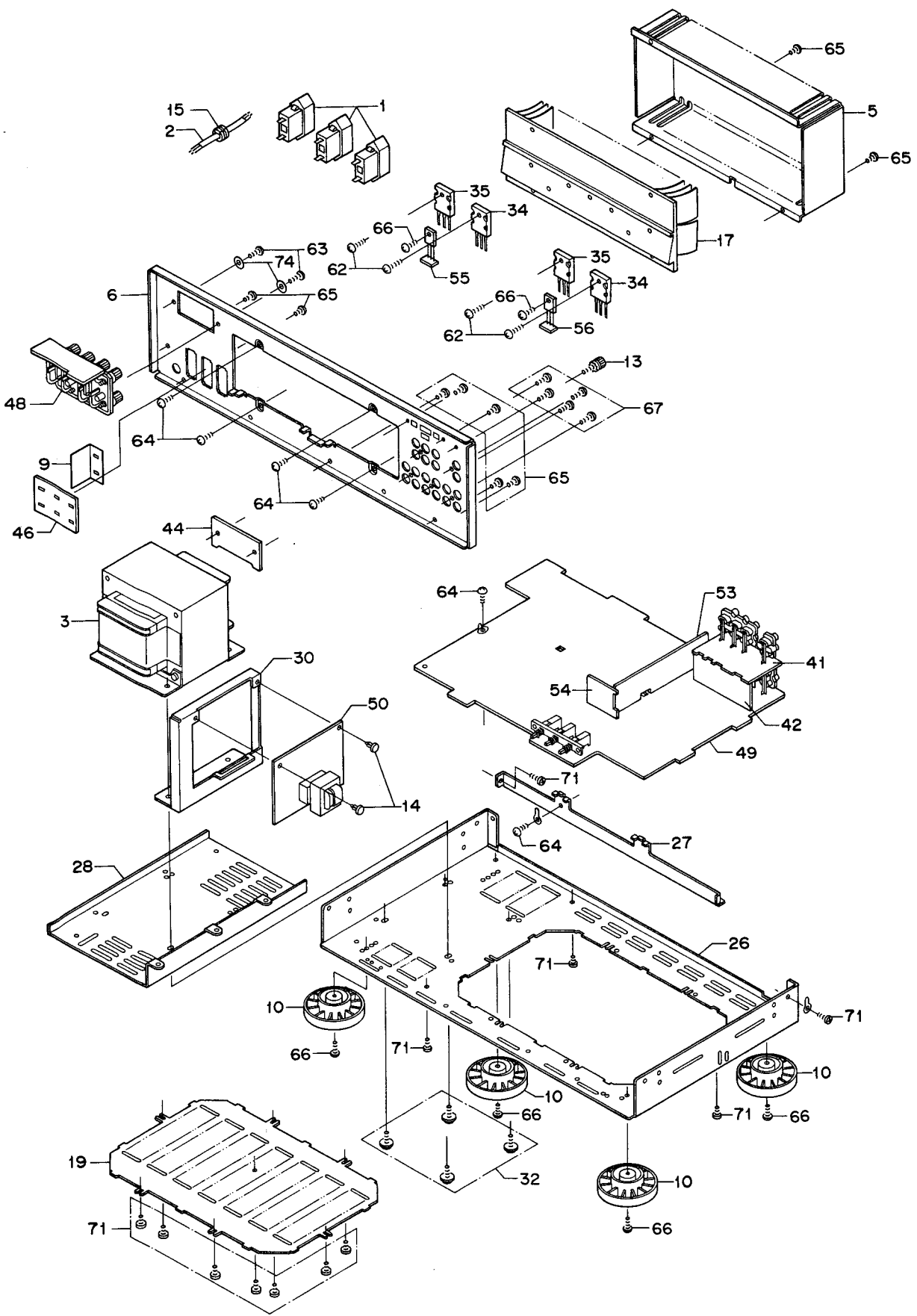
### ADJUSTMENT POINTS



# CABINET & CHASSIS EXPLODED VIEW (1)



# CABINET & CHASSIS EXPLODED VIEW (2)



## CABINET & CHASSIS PARTS LIST

Ref. No.	Part No.	Description	Q'ty	Ref. No.	Part No.	Description	Q'ty
<b>PACKAGE</b>				50	620 201 2568	Assy,PCB,Sub Trans	1
	620 000 0024	Bag Polyethylene	1	51	620 201 7129	Assy,PCB,Balance Volume	1
	620 201 4876	Inner Carton	1	52	620 188 8744	Volume P.C.B. Assy	1
	620 186 6476	Pad (Front)	1	53	620 188 8768	Shield-A P.C.B. Assy	1
	620 186 6483	Pad (Rear)	1	54	620 188 8775	Shield-B P.C.B. Assy	1
	620 193 5394	Pad	1	55	620 188 8799	Bias L P.C.B. Assy	1
	620 059 6596	Patching Sheet	1	56	620 188 8805	Bias R P.C.B. Assy	1
	620 062 0543	Serial No. Sheet	2	61	411 020 5201	SCR S-TPG BRZ 2.6X10	4
	620 148 8012	Sheet Polyethylene	1	62	411 020 5904	SCR S-TPG BRZ 3X10	4
<b>ACCESSORIES</b>				63	411 099 9506	SCR S-TPG BRZ 3X10	2
	620 201 9932	Assy,Poly Cover	1	64	411 020 7700	SCR S-TPG BRZ 3X6	7
	620 201 9925	Instruction Manual	1	65	411 099 9704	SCR S-TPG BRZ 3X6	9
	620 057 8783	Bag Fan	1	66	411 020 8004	SCR S-TPG BRZ 3X8	6
	620 062 0543	Serial No. Sheet	1	67	411 099 9803	SCR S-TPG BRZ 3X8	5
	620 152 2624	Certificate Card	1	68	411 021 0304	SCR S-TPG BIN 2X4	3
	620 201 9918	Remocon,RCA-905 (Remote Control)	1	69	411 021 3107	SCR S-TPG BIN 2.6X8	1
<b>CABINET</b>				70	411 021 3206	SCR S-TPG BIN 2.6X8	3
	620 017 5784	Connector 1P Assy	1	71	411 021 5705	SCR S-TPG BIN 3X6	18
	620 022 2587	EC Terminal 1P	2	72	411 003 8908	SCR PAN + SW 3X6	4
	620 022 3454	Terminal Lug	1	73	411 070 0607	SCR TPG BRZ 3X8	2
	620 062 0543	Serial No. Sheet	1	74	411 087 0102	WASHER In TW 3	2
	620 125 8424	Wire Band	24	<b>NOTES:</b>			
C1	403 003 3601	CERAMIC 0.022U N 25V	1	1.	Parts order must contain Model Number, Part Number and Description.		
1	△ 620 017 1212	AC Socket	3	2.	Ordering quantity of screws and resistors must be multiple of 10 pcs.		
2	△ 620 023 7550	Power Cord	1	<p style="text-align: center;"><b>PRODUCT SAFETY NOTICE</b></p> <p>Each precaution in this manual should be followed during servicing. Components identified with the IEC symbol <math>\Delta</math> in the parts list and the schematic diagram designate components in which safety can be of special significance. When replacing a component identified with <math>\Delta</math>, use only the replacement parts designated, or parts with the same ratings of resistance, wattage or voltage that are designated in the parts list in this manual. Leakage-current or resistance measurements must be made to determine that exposed parts are acceptably insulated from the supply circuit before returning the product to the customer.</p>			
3	△ 620 201 7044	Power Trans,SEV,200VA	1				
4	620 201 4883	Assy,Cabinet	1				
5	620 201 4913	Cover,Heat Sink	1				
6	620 201 3954	Panel,Rear	1				
7	620 201 1066	Button,Tact	2				
8	620 201 1103	Mount-M,Button	2				
9	620 203 0067	Insulator,AC Outlet	1				
10	620 185 2752	Leg Assy	4				
11	620 045 4711	Cover	1				
12	620 048 4541	Metal Reinforce	4				
13	620 051 2152	Screw Ground	1				
14	620 191 2746	Rivet 3.5	5				
or	620 052 1659	Rivet	5				
15	620 053 2136	Bushing (Power Cord)	1				
or	620 053 2129	Bushing (Power Cord)	1				
16	620 189 5230	Shelter	1				
17	620 192 3018	Heat Sink	1				
18	620 186 6711	Knob Volume Assy	1				
19	620 186 7060	Bottom Cover	1				
20	620 186 4014	Knob (Power)	1				
21	620 185 3186	Knob Volume (Tone,Balance)	4				
22	620 185 3216	Knob Push (Tape)	3				
23	620 185 3223	Knob Push (Speaker)	2				
24	620 185 3230	Knob Tact (Stand by)	1				
25	620 186 7237	Panel Front	1				
26	620 186 7244	Chassis	1				
27	620 186 7251	Metal Reinforce	1				
28	620 186 7268	Metal Reinforce	1				
29	620 185 3285	Bracket Mount H.P	1				
30	620 191 5129	Bracket Mount PC	1				
31	620 123 0284	SCR TPG BIN + M4.0X8	4				
32	620 123 0833	SCR Bind TAP-B + M4X10	4				
33	620 123 7658	Sheet	1				
34	405 017 7705	TR 2SC3280-O [Q1]	1				
or	405 033 3309	TR 2SC3280-R [Q1]	1				
34	405 017 7705	TR 2SC3280-O [Q2]	1				
or	405 033 3309	TR 2SC3280-R [Q2]	1				
35	405 003 3902	TR 2SA1301-O [Q3]	1				
or	405 031 2106	TR 2SA1301-R [Q3]	1				
35	405 003 3902	TR 2SA1301-O [Q4]	1				
or	405 031 2106	TR 2SA1301-R [Q4]	1				
36	620 189 5223	Cushion	1				
41	620 201 2438	Assy,PCB,Phono EQ.	1				
42	620 201 2445	Assy,PCB,Jumper	1				
43	620 201 2476	Assy,PCB,Micom	1				
44	620 201 2483	Assy,PCB,R/C Terminal	1				
45	620 201 2490	Assy,PCB,Volume Indicator	1				
46	620 201 2513	Assy,PCB,AC Outlet	1				
47	620 201 2520	Assy,PCB,SP/Power Switch	1				
48	620 201 2544	Assy,PCB,Speaker Out	1				
49	620 201 2551	Assy,PCB,Main	1				

## P.C.BOARD PARTS LIST

Ref. No.	Part No.	Description	Q'ty	Ref. No.	Part No.	Description	Q'ty
<b>ASSY,PCB,PHONO EQ.</b>							
41	620 201 2438	Assy,PCB,Phono EQ.	1	S406	620 016 7796	Tact Switch (TAPE 2, DAT)	1
	620 201 6146	Jack,RCA PIN,2P,WH/RE	1	S407	620 016 7796	Tact Switch (MUTING)	1
	620 201 6160	Jack,RCA PIN,6P,WH/RE	1	S408	620 016 7796	Tact Switch (LOUDNESS)	1
W101	620 017 5784	Connector 1P Assy	1	S409	620 016 7796	Tact Switch (SOURCE DIRECT)	1
IC101	409 057 4403	IC UPC4570C	1	S410	620 016 7796	Tact Switch (POWER STANDBY)	1
C101	403 071 6207	CERAMIC 220P K 50V	1	VR401	620 189 0211	VR 2X150KW (BASS)	1
C102	403 071 6207	CERAMIC 220P K 50V	1	VR402	620 189 0211	VR 2X150KW (MID RANGE)	1
C103	403 047 1502	ELECT 4.7U M 25V	1	VR403	620 189 0211	VR 2X150KW (TREBLE)	1
C104	403 047 1502	ELECT 4.7U M 25V	1	IC401	410 062 9000	IC TMP47C670N-1265	1
C105	403 071 6207	CERAMIC 220P K 50V	1	IC402	409 114 4803	IC LB1641	1
C106	403 071 6207	CERAMIC 220P K 50V	1	Q401	405 018 0101	TR 2SC3331-T	1
C107	403 038 7209	ELECT 220U M 6.3V	1	or	405 018 0002	TR 2SC3331-S	1
C108	403 038 7209	ELECT 220U M 6.3V	1	Q402	405 018 0101	TR 2SC3331-T	1
C109	403 062 7305	POLYESTER 0.056U K 50V	1	or	405 018 0002	TR 2SC3331-S	1
C110	403 062 7305	POLYESTER 0.056U K 50V	1	Q403	405 018 0101	TR 2SC3331-T	1
C111	403 058 3106	POLYESTER 0.015U J 50V	1	or	405 018 0002	TR 2SC3331-S	1
C112	403 058 3106	POLYESTER 0.015U J 50V	1	Q404	405 018 0101	TR 2SC3331-T	1
C113	403 074 2701	CERAMIC 0.047U Z 50V	1	or	405 018 0002	TR 2SC3331-S	1
C115	403 071 2001	CERAMIC 180P K 50V	1	Q405	405 019 3804	TR 2SC536-G-NP	1
C116	403 071 2001	CERAMIC 180P K 50V	1	or	405 019 2708	TR 2SC536-F-NP	1
R101	401 024 7004	CARBON 1K JA 1/6W	1	Q406	405 019 3804	TR 2SC536-G-NP	1
R102	401 024 7004	CARBON 1K JA 1/6W	1	or	405 019 2708	TR 2SC536-F-NP	1
R103	401 024 7004	CARBON 1K JA 1/6W	1	Q407	405 004 5004	TR 2SA608-G-NP	1
R104	401 024 7004	CARBON 1K JA 1/6W	1	or	405 004 4502	TR 2SA608-F-NP	1
R105	401 024 7004	CARBON 1K JA 1/6W	1	Q408	405 004 5004	TR 2SA608-G-NP	1
R106	401 024 7004	CARBON 1K JA 1/6W	1	or	405 004 4502	TR 2SA608-F-NP	1
R107	401 024 7004	CARBON 1K JA 1/6W	1	Q409	405 019 3804	TR 2SC536-G-NP	1
R108	401 024 7004	CARBON 1K JA 1/6W	1	or	405 019 2708	TR 2SC536-F-NP	1
R109	401 025 8703	CARBON 220K JA 1/6W	1	Q410	405 019 3804	TR 2SC536-G-NP	1
R110	401 025 8703	CARBON 220K JA 1/6W	1	or	405 019 2708	TR 2SC536-F-NP	1
R111	401 025 8703	CARBON 220K JA 1/6W	1	Q411	405 019 3804	TR 2SC536-G-NP	1
R112	401 025 8703	CARBON 220K JA 1/6W	1	or	405 019 2708	TR 2SC536-F-NP	1
R113	401 025 8703	CARBON 220K JA 1/6W	1	Q412	405 004 5004	TR 2SA608-G-NP	1
R114	401 025 8703	CARBON 220K JA 1/6W	1	or	405 004 4502	TR 2SA608-F-NP	1
R115	401 024 7707	CARBON 100K JA 1/6W	1	Q413	405 004 5004	TR 2SA608-G-NP	1
R116	401 024 7707	CARBON 100K JA 1/6W	1	or	405 004 4502	TR 2SA608-F-NP	1
R117	401 024 7707	CARBON 100K JA 1/6W	1	Q414	405 021 0808	TR 2SD1012-H	1
R118	401 024 7707	CARBON 100K JA 1/6W	1	Q415	405 019 3804	TR 2SC536-G-NP	1
R119	401 024 6700	CARBON 100 JA 1/6W	1	or	405 019 2708	TR 2SC536-F-NP	1
R120	401 024 6700	CARBON 100 JA 1/6W	1	Q416	405 021 0808	TR 2SD1012-H	1
R121	401 027 3003	CARBON 56K JA 1/6W	1	or	405 021 0501	TR 2SD1012-G	1
R122	401 027 3003	CARBON 56K JA 1/6W	1	Q417	405 019 3804	TR 2SC536-G-NP	1
R123	401 026 9907	CARBON 4.7K JA 1/6W	1	or	405 019 2708	TR 2SC536-F-NP	1
R124	401 026 9907	CARBON 4.7K JA 1/6W	1	D401	407 069 1205	DIODE DS441	1
<b>ASSY,PCB,JUMPER</b>							
42	620 201 2445	Assy,PCB,Jumper	1	D402	407 008 0405	DIODE GMB01-BT	1
C131	403 047 1502	ELECT 4.7U M 25V	1	D403	407 008 0405	DIODE GMB01-BT	1
C132	403 047 1502	ELECT 4.7U M 25V	1	D404	407 008 0405	DIODE GMB01-BT	1
C133	403 047 4206	ELECT 47U M 25V	1	D405	407 008 0405	DIODE GMB01-BT	1
C134	403 047 4206	ELECT 47U M 25V	1	D406	407 008 0405	DIODE GMB01-BT	1
R125	401 024 7004	CARBON 1K JA 1/6W	1	D407	407 050 3300	ZENER DIODE GZA4.3X	1
R126	401 012 5708	CARBON 1K JA 1/4W	1	D408	407 065 5009	LED SLP-190B-51	1
R127	401 024 7707	CARBON 100K JA 1/6W	1	D409	407 096 1803	LED SLP-490B-51	1
R128	401 024 7707	CARBON 100K JA 1/6W	1	D410	407 096 1803	LED SLP-490B-51	1
R129	401 026 3905	CARBON 330 JA 1/6W	1	D411	407 096 1704	LED SLP-290B-51	1
R130	401 026 3905	CARBON 330 JA 1/6W	1	D412	407 096 1704	LED SLP-290B-51	1
<b>ASSY,PCB,MICOM</b>							
43	620 201 2476	Assy,PCB,Micom	1	D413	407 096 1704	LED SLP-290B-51	1
	620 030 8137	Lamp	1	D414	407 096 1704	LED SLP-290B-51	1
	411 021 3107	SCR S-TPG BIN 2.6X8	4	D415	407 065 5009	LED SLP-190B-51	1
	620 201 1073	Spacer,LED	1	D416	407 065 5009	LED SLP-190B-51	1
	620 201 1080	Spacer,LED	1	D417	407 102 2800	SENSOR SBX1492-52	1
	620 052 0171	Spacer	1	D418	407 005 4703	DIODE DS446-BT	1
	620 186 7275	Plate Earth	1	C401	403 044 8207	ELECT 10U M 25V	1
	620 125 8424	Wire Band	1	C402	403 044 8207	ELECT 10U M 25V	1
	620 055 4879	Jumper	1	C403	403 059 5802	POLYESTER 0.022U J 50V	1
	620 189 0839	Jumper	1	C404	403 059 5802	POLYESTER 0.022U J 50V	1
	620 189 0815	Jumper	1	C405	403 063 8103	POLYESTER 0.082U K 50V	1
	620 189 0846	Jumper	1	C406	403 063 8103	POLYESTER 0.082U K 50V	1
CX401	620 026 9070	CSA 4.19M Resonator	1	C407	403 061 8006	POLYESTER 4700P J 50V	1
RB401	620 004 5513	Resistor 7X10K	1	C408	403 061 8006	POLYESTER 4700P J 50V	1
S401	620 016 7796	Tact Switch (PHONO)	1	C409	403 057 7402	POLYESTER 0.012U J 50V	1
S402	620 016 7796	Tact Switch (TUNER)	1	C410	403 057 7402	POLYESTER 0.012U J 50V	1
S403	620 016 7796	Tact Switch (CD)	1	C411	403 044 8207	ELECT 10U M 25V	1
S404	620 016 7796	Tact Switch (AUX)	1	C412	403 044 8207	ELECT 10U M 25V	1
S405	620 016 7796	Tact Switch (TAPE 1)	1	C413	403 047 4305	ELECT 47U M 25V	1
				C414	403 044 8207	ELECT 10U M 25V	1
				C415	403 069 8404	CERAMIC 0.01U Z 50V	1
				C416	404 039 4402	ELECT 100U M 10V	1
				or	404 032 5802	ELECT 100U M 10V	1
				C417	404 039 4303	ELECT 2200U M 10V	1

## P.C.BOARD PARTS LIST (Continued)

Ref. No.	Part No.	Description	Q'ty	Ref. No.	Part No.	Description	Q'ty
or	404 032 2207	ELECT	2200U M 10V	R465	401 024 7004	CARBON	1K JA 1/6W
C418	403 022 5907	CERAMIC	33P J 50V	R466	401 012 5708	CARBON	1K JA 1/4W
C419	403 022 5907	CERAMIC	33P J 50V	R467	401 024 7004	CARBON	1K JA 1/6W
C420	403 049 1609	ELECT	1U M 50V	R468	401 024 7004	CARBON	1K JA 1/6W
C421	403 049 1609	ELECT	1U M 50V	R469	401 024 7004	CARBON	1K JA 1/6W
C422	403 038 7209	ELECT	220U M 6.3V	R470	401 026 9600	CARBON	470 JA 1/6W
C423	403 045 0606	ELECT	100U M 25V	R471	401 012 7009	CARBON	10K JA 1/4W
C424	403 069 8404	CERAMIC	0.01U Z 50V	R472	401 024 7004	CARBON	1K JA 1/6W
C425	403 067 5603	MT-COMPO	0.1U J 50V	R473	401 020 2904	CARBON	47K JA 1/4W
C426	403 038 2303	ELECT	100U M 6.3V	R474	401 024 7707	CARBON	100K JA 1/6W
C427	403 069 8404	CERAMIC	0.01U Z 50V	R475	401 013 5301	CARBON	1.2K JA 1/4W
C428	403 069 8404	CERAMIC	0.01U Z 50V	R476	401 012 7009	CARBON	10K JA 1/4W
C429	403 069 8404	CERAMIC	0.01U Z 50V	R477	401 012 7009	CARBON	10K JA 1/4W
C430	404 028 9302	CERAMIC	0.1U Z 50V	R478	401 012 7009	CARBON	10K JA 1/4W
C431	403 026 8201	CERAMIC	470P K 50V	R479	401 024 7400	CARBON	10K JA 1/6W
R401	401 025 2305	CARBON	150K JA 1/6W	<b>ASSY,PCB,R/C TERMINAL</b>			
R402	401 025 2305	CARBON	150K JA 1/6W	44	620 201 2483	Assy,PCB,R/C Terminal	1
R403	401 026 7408	CARBON	39K JA 1/6W		620 021 1970	Plug 2P	1
R404	401 026 7408	CARBON	39K JA 1/6W		620 021 5923	Plug 3P	1
R405	401 027 8305	CARBON	820 JA 1/6W		620 021 5930	Plug 4P	2
R406	401 027 8305	CARBON	820 JA 1/6W		620 185 3292	Bracket Connect PC	1
R407	401 025 1605	CARBON	1.5K JA 1/6W		620 055 4299	Jumper	1
R408	401 025 1605	CARBON	1.5K JA 1/6W	<b>ASSY,PCB,VOLUME INDICATOR</b>			
R409	401 026 6609	CARBON	390 JA 1/6W	45	620 201 2490	Assy,PCB,Volume Indicator	1
R410	401 026 6609	CARBON	390 JA 1/6W		620 185 2820	Reflector	1
R411	401 026 6609	CARBON	390 JA 1/6W	D301	407 062 7204	LED SEL2213C	1
R412	401 026 6609	CARBON	390 JA 1/6W	<b>ASSY,PCB,AC OUTLET</b>			
R413	401 027 2600	CARBON	5.6K JA 1/6W	46	620 201 2513	Assy,PCB,AC Outlet	1
R414	401 027 2600	CARBON	5.6K JA 1/6W	<b>ASSY,PCB,SP/POWER SWITCH</b>			
R415	401 027 2600	CARBON	5.6K JA 1/6W	47	620 201 2520	Assy,PCB,SP/Power Switch	1
R416	401 027 2600	CARBON	5.6K JA 1/6W		620 185 1946	Jack 3P	1
R417	401 013 5301	CARBON	1.2K JA 1/4W		620 031 4763	Wire Wrap Terminal	2
R418	401 024 9305	CARBON	1.2K JA 1/6W		620 053 6899	Cover Safety	1
R419	401 021 3009	CARBON	5.6K JA 1/4W	PC511	620 189 0761	Wire 5 Parallel	1
R420	401 021 3009	CARBON	5.6K JA 1/4W	PC512	620 024 2998	Wire 6 Parallel	1
R421	401 024 7707	CARBON	100K JA 1/6W	S501	620 188 8393	Push 1Key (SPEAKER A)	1
R422	401 024 7707	CARBON	100K JA 1/6W	S502	620 188 8393	Push 1Key (SPEAKER B)	1
R423	401 027 2600	CARBON	5.6K JA 1/6W	S503	△ 620 015 2341	Switch Push Power (POWER SW)	1
R424	401 027 3003	CARBON	56K JA 1/6W	C501	△ 620 006 6716	Capacitor 1000P 400V	1
R425	401 021 1906	CARBON	560 JA 1/4W	R501	402 040 1601	OXIDE-MT 560 JB 2W	1
R426	402 015 5108	FUSIBLE RES	560 J- 1/4W	R502	402 040 1601	OXIDE-MT 560 JB 2W	1
R427	401 020 0801	CARBON	470 JA 1/4W	R503	401 017 0807	CARBON 270 JA 1/4W	1
R428	401 027 0309	CARBON	47K JA 1/6W	R504	401 017 0807	CARBON 270 JA 1/4W	1
R429	401 024 7400	CARBON	10K JA 1/6W	R505	401 017 0807	CARBON 270 JA 1/4W	1
R430	401 024 7400	CARBON	10K JA 1/6W	R506	401 017 0807	CARBON 270 JA 1/4W	1
R431	401 027 0309	CARBON	47K JA 1/6W	<b>ASSY,PCB,SPEAKER OUT</b>			
R432	401 027 5908	CARBON	68K JA 1/6W	48	620 201 2544	Assy,PCB,Speaker Out	1
R433	401 027 5908	CARBON	68K JA 1/6W		620 196 5353	Terminal	1
R434	401 012 7009	CARBON	10K JA 1/4W	C525	403 069 1207	CERAMIC 1000P K 50V	1
R435	401 024 7400	CARBON	10K JA 1/6W	C526	403 069 1207	CERAMIC 1000P K 50V	1
R436	401 026 4605	CARBON	33K JA 1/6W	C527	403 074 6303	CERAMIC 560P K 50V	1
R437	401 012 7009	CARBON	10K JA 1/4W	C528	403 074 6303	CERAMIC 560P K 50V	1
R438	401 024 7707	CARBON	100K JA 1/6W	C529	403 074 9205	CERAMIC 680P K 50V	1
R439	401 027 0507	CARBON	470K JA 1/6W	C530	403 074 9205	CERAMIC 680P K 50V	1
R440	401 024 7400	CARBON	10K JA 1/6W	<b>ASSY,PCB,MAIN</b>			
R441	401 027 0309	CARBON	47K JA 1/6W	49	620 201 2551	Assy,PCB,Main	1
R442	401 024 7004	CARBON	1K JA 1/6W		620 189 0259	Push 3Key	1
R443	401 027 0309	CARBON	47K JA 1/6W		620 017 0406	Relay	1
R444	401 018 3807	CARBON	3.3K JA 1/4W		620 017 0413	Relay	1
R445	401 016 3809	CARBON	2.2K JA 1/4W		620 017 2738	Fuse Clip	10
R446	401 013 9507	CARBON	1.3K JA 1/4W	△	423 005 0507	FUSE 250V T1A	2
R447	401 024 7400	CARBON	10K JA 1/6W	△	423 006 4702	FUSE 250V T2.5A	1
R448	401 022 0809	CARBON	68 JA 1/4W	△	423 007 4404	FUSE 250V T5A	2
R449	401 019 1000	CARBON	390 JA 1/4W		411 020 7700	SCR S-TPG BRZ 3X6	4
R450	401 019 1000	CARBON	390 JA 1/4W		620 201 6153	Jack,RCA PIN,4P,WH/RE	3
R451	401 013 6407	CARBON	12K JA 1/4W		620 201 7198	Label,Fuse T1AX2	1
R452	401 013 3208	CARBON	12 JA 1/4W		620 201 7204	Label,Fuse,T5AX2	1
R453	401 013 3208	CARBON	12 JA 1/4W		620 031 4763	Wire Wrap Terminal	15
R454	401 012 3407	CARBON	10 JA 1/4W		620 053 6899	Cover Safety	1
R455	401 012 8105	CARBON	100K JA 1/4W		620 053 9241	Plate Heat Sink	4
R456	401 012 8105	CARBON	100K JA 1/4W		620 055 1045	Label Fuse	1
R457	401 012 7009	CARBON	10K JA 1/4W		620 186 7275	Plate Earth	1
R458	401 022 1905	CARBON	680 JA 1/4W	CN203	620 020 3753	Socket Jumper 7P	1
R459	401 016 3809	CARBON	2.2K JA 1/4W				
R460	401 024 7400	CARBON	10K JA 1/6W				
R461	401 024 7707	CARBON	100K JA 1/6W				
R462	401 012 8105	CARBON	100K JA 1/4W				
R463	401 012 5708	CARBON	1K JA 1/4W				
R464	401 012 5708	CARBON	1K JA 1/4W				

## P.C.BOARD PARTS LIST (Continued)

Ref. No.	Part No.	Description	Q'ty	Ref. No.	Part No.	Description	Q'ty
CN204	620 020 5825	Socket Jumper 8P	1	D208	407 008 0405	DIODE GMB01-BT	1
CN205	620 020 5801	Socket Jumper 5P	1	D209	407 008 0405	DIODE GMB01-BT	1
CN206	620 018 1884	Socket Jumper 10P	1	D210	407 008 0405	DIODE GMB01-BT	1
L201	620 027 1240	AF Coil	1	D211	407 008 0405	DIODE GMB01-BT	1
L202	620 027 1240	AF Coil	1	D212	407 008 0405	DIODE GMB01-BT	1
TH201	407 109 6702	THERMISTOR 300D-5	1	D213	407 008 0405	DIODE GMB01-BT	1
TH202	407 109 6702	THERMISTOR 300D-5	1	D214	407 008 0405	DIODE GMB01-BT	1
VR201	620 005 6212	Potentiometer 301	1	D215	407 005 3805	DIODE DS442-BT	1
VR202	620 005 6212	Potentiometer 301	1	D216	407 005 3805	DIODE DS442-BT	1
IC201	409 109 5105	IC LC7821	1	D217	407 005 3805	DIODE DS442-BT	1
IC202	409 018 4503	IC LA6458DS	1	D218	407 005 3805	DIODE DS442-BT	1
IC203	409 018 4503	IC LA6458DS	1	D223	407 005 2105	DIODE DS135D-KB3	1
IC204	409 018 4503	IC LA6458DS	1	D224	407 005 2105	DIODE DS135D-KB3	1
IC205	409 161 3101	IC TC9214P	1	D225	407 005 2105	DIODE DS135D-KB3	1
IC206	409 161 3101	IC TC9214P	1	D226	407 005 2105	DIODE DS135D-KB3	1
IC207	409 057 4403	IC UPC4570C	1	D227	407 120 4909	DIODE DS5403	1
IC209	409 079 9509	IC LA2500	1	or	407 088 3105	DIODE DSC30TC-KD2	1
IC210	409 079 9509	IC LA2500	1	D228	407 120 4909	DIODE DS5403	1
Q203	405 021 0808	TR 2SD1012-H	1	or	407 088 3105	DIODE DSC30TC-KD2	1
Q204	405 021 0808	TR 2SD1012-H	1	D229	407 120 4909	DIODE DS5403	1
Q205	405 016 9007	TR 2SC3066-G	1	or	407 088 3105	DIODE DSC30TC-KD2	1
or	405 016 8901	TR 2SC3066-F	1	D230	407 120 4909	DIODE DS5403	1
Q206	405 016 9007	TR 2SC3066-G	1	or	407 088 3105	DIODE DSC30TC-KD2	1
or	405 016 8901	TR 2SC3066-F	1	D231	407 008 0405	DIODE GMB01-BT	1
Q207	405 002 9202	TR 2SA1209-T	1	D232	407 008 0405	DIODE GMB01-BT	1
or	405 002 9103	TR 2SA1209-S	1	D233	407 049 7807	ZENER DIODE GZA18Y-BT	1
Q208	405 002 9202	TR 2SA1209-T	1	D236	407 049 7807	ZENER DIODE GZA18Y-BT	1
or	405 002 9103	TR 2SA1209-S	1	D237	407 050 6301	ZENER DIODE GZA6.2Z-BT	1
Q209	405 016 4002	TR 2SC2911-T	1	D240	407 004 9105	DIODE DSF10C-BT	1
or	405 016 3906	TR 2SC2911-S	1	D245	407 050 6301	ZENER DIODE GZA6.2Z-BT	1
Q210	405 016 4002	TR 2SC2911-T	1	D247	407 004 9105	DIODE DSF10C-BT	1
or	405 016 3906	TR 2SC2911-S	1	D249	407 049 7807	ZENER DIODE GZA18Y-BT	1
Q213	405 019 3804	TR 2SC536-G-NP	1	D253	407 008 0405	DIODE GMB01-BT	1
or	405 019 2708	TR 2SC536-F-NP	1	D254	407 008 0405	DIODE GMB01-BT	1
Q214	405 019 3804	TR 2SC536-G-NP	1	C201	403 047 1502	ELECT 4.7U M 25V	1
or	405 019 2708	TR 2SC536-F-NP	1	C202	403 047 1502	ELECT 4.7U M 25V	1
Q215	405 004 5004	TR 2SA608-G-NP	1	C203	403 071 6207	CERAMIC 220P K 50V	1
or	405 004 4502	TR 2SA608-F-NP	1	C204	403 071 6207	CERAMIC 220P K 50V	1
Q216	405 004 5004	TR 2SA608-G-NP	1	C205	403 047 1502	ELECT 4.7U M 25V	1
or	405 004 4502	TR 2SA608-F-NP	1	C206	403 047 1502	ELECT 4.7U M 25V	1
Q217	405 017 2601	TR 2SC3117-S	1	C207	403 047 1502	ELECT 4.7U M 25V	1
or	405 017 2502	TR 2SC3117-R	1	C208	403 047 1502	ELECT 4.7U M 25V	1
Q218	405 017 2601	TR 2SC3117-S	1	C209	403 071 6207	CERAMIC 220P K 50V	1
or	405 017 2502	TR 2SC3117-R	1	C210	403 071 6207	CERAMIC 220P K 50V	1
Q219	405 003 1601	TR 2SA1249-S	1	C211	403 047 1502	ELECT 4.7U M 25V	1
or	405 003 1502	TR 2SA1249-R	1	C212	403 047 1502	ELECT 4.7U M 25V	1
Q220	405 003 1601	TR 2SA1249-S	1	C213	403 047 4206	ELECT 47U M 25V	1
or	405 003 1502	TR 2SA1249-R	1	C214	403 047 4206	ELECT 47U M 25V	1
Q221	405 004 5004	TR 2SA608-G-NP	1	C215	403 049 1609	ELECT 1U M 50V	1
or	405 004 4502	TR 2SA608-F-NP	1	C217	403 071 6207	CERAMIC 220P K 50V	1
Q222	405 019 3804	TR 2SC536-G-NP	1	C218	403 071 6207	CERAMIC 220P K 50V	1
or	405 019 2708	TR 2SC536-F-NP	1	C219	403 047 4206	ELECT 47U M 25V	1
Q223	405 019 3804	TR 2SC536-G-NP	1	C220	403 047 4206	ELECT 47U M 25V	1
or	405 019 2708	TR 2SC536-F-NP	1	C221	403 067 6709	MT-COMPO 0.22U J 50V	1
Q225	405 004 5004	TR 2SA608-G-NP	1	C222	403 067 6709	MT-COMPO 0.22U J 50V	1
or	405 004 4502	TR 2SA608-F-NP	1	C223	403 067 6709	MT-COMPO 0.22U J 50V	1
Q226	405 019 3804	TR 2SC536-G-NP	1	C224	403 067 6709	MT-COMPO 0.22U J 50V	1
or	405 019 2708	TR 2SC536-F-NP	1	C225	403 047 1502	ELECT 4.7U M 25V	1
Q227	405 023 8505	TR 2SD438-F-MP	1	C226	403 047 1502	ELECT 4.7U M 25V	1
or	405 023 8307	TR 2SD438-E-MP	1	C227	403 068 9402	CERAMIC 100P K 50V	1
Q228	405 004 5004	TR 2SA608-G-NP	1	C228	403 068 9402	CERAMIC 100P K 50V	1
or	405 004 4502	TR 2SA608-F-NP	1	C229	403 068 9402	CERAMIC 100P K 50V	1
Q229	405 007 5308	TR 2SB560-F-MP	1	C230	403 068 9402	CERAMIC 100P K 50V	1
or	405 007 5100	TR 2SB560-E-MP	1	C231	403 047 1502	ELECT 4.7U M 25V	1
Q231	405 019 3804	TR 2SC536-G-NP	1	C232	403 047 1502	ELECT 4.7U M 25V	1
or	405 019 2708	TR 2SC536-F-NP	1	C233	403 073 7004	CERAMIC 470P K 50V	1
Q233	405 022 8209	TR 2SD1682-T	1	C234	403 073 7004	CERAMIC 470P K 50V	1
or	405 022 8001	TR 2SD1682-S	1	C235	403 067 5900	MT-COMPO 0.12U J 50V	1
Q234	405 025 0200	TR 2SD734-G	1	C236	403 067 5900	MT-COMPO 0.12U J 50V	1
or	405 024 9907	TR 2SD734-F	1	C237	403 071 6207	CERAMIC 220P K 50V	1
Q235	405 019 3804	TR 2SC536-G-NP	1	C238	403 071 6207	CERAMIC 220P K 50V	1
or	405 019 2708	TR 2SC536-F-NP	1	C239	403 045 0606	ELECT 100U M 25V	1
D201	407 008 0405	DIODE GMB01-BT	1	C240	403 045 0606	ELECT 100U M 25V	1
D202	407 008 0405	DIODE GMB01-BT	1	C245	403 047 1502	ELECT 4.7U M 25V	1
D203	407 008 0405	DIODE GMB01-BT	1	C246	403 047 1502	ELECT 4.7U M 25V	1
D204	407 008 0405	DIODE GMB01-BT	1	C247	403 071 6207	CERAMIC 220P K 50V	1
D205	407 008 0405	DIODE GMB01-BT	1	C248	403 071 6207	CERAMIC 220P K 50V	1
D206	407 008 0405	DIODE GMB01-BT	1	C249	403 040 4807	ELECT 220U M 10V	1
D207	407 008 0405	DIODE GMB01-BT	1	C250	403 040 4807	ELECT 220U M 10V	1

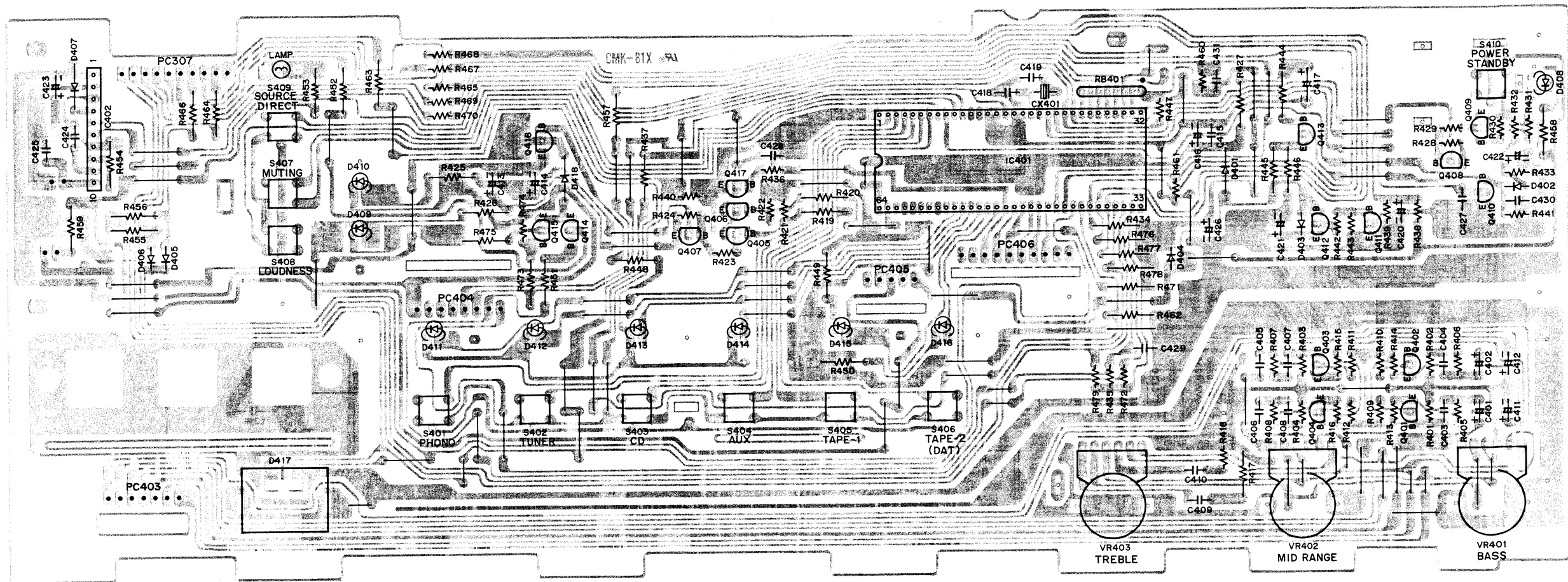


## P.C.BOARD PARTS LIST (Continued)

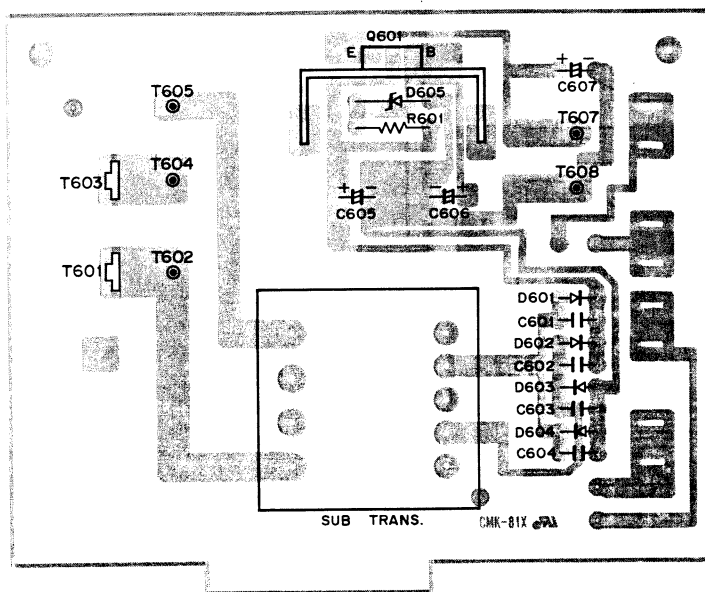
Ref. No.	Part No.	Description	Q'ty	Ref. No.	Part No.	Description	Q'ty
C251	403 070 7809	CERAMIC 150P K 50V	1	R203	401 024 7004	CARBON 1K JA 1/6W	1
C252	403 070 7809	CERAMIC 150P K 50V	1	R204	401 024 7004	CARBON 1K JA 1/6W	1
C253	403 044 8207	ELECT 10U M 25V	1	R205	401 024 7004	CARBON 1K JA 1/6W	1
C254	403 044 8207	ELECT 10U M 25V	1	R206	401 024 7004	CARBON 1K JA 1/6W	1
C255	403 044 0201	ELECT 47U M 16V	1	R207	401 024 7004	CARBON 1K JA 1/6W	1
C256	403 044 0201	ELECT 47U M 16V	1	R208	401 024 7004	CARBON 1K JA 1/6W	1
C257	403 035 2207	CERAMIC 15P K 500V	1	R209	401 024 7004	CARBON 1K JA 1/6W	1
C258	403 035 2207	CERAMIC 15P K 500V	1	R210	401 024 7004	CARBON 1K JA 1/6W	1
C259	403 035 2207	CERAMIC 15P K 500V	1	R211	401 024 7004	CARBON 1K JA 1/6W	1
C260	403 035 2207	CERAMIC 15P K 500V	1	R212	401 024 7004	CARBON 1K JA 1/6W	1
C261	403 035 8506	CERAMIC 3P C 500V	1	R213	401 025 0004	CARBON 120K JA 1/6W	1
C262	403 035 8506	CERAMIC 3P C 500V	1	R214	401 025 0004	CARBON 120K JA 1/6W	1
C263	403 061 8006	POLYESTER 4700P J 50V	1	R215	401 025 8703	CARBON 220K JA 1/6W	1
C264	403 061 8006	POLYESTER 4700P J 50V	1	R216	401 025 8703	CARBON 220K JA 1/6W	1
C265	403 057 7402	POLYESTER 0.012U J 50V	1	R217	401 027 9005	CARBON 82K JA 1/6W	1
C266	403 057 7402	POLYESTER 0.012U J 50V	1	R218	401 027 9005	CARBON 82K JA 1/6W	1
C267	403 057 7402	POLYESTER 0.012U J 50V	1	R219	401 025 8703	CARBON 220K JA 1/6W	1
C268	403 057 7402	POLYESTER 0.012U J 50V	1	R220	401 025 8703	CARBON 220K JA 1/6W	1
C269	403 034 9900	CERAMIC 100P K 500V	1	R221	401 024 7707	CARBON 100K JA 1/6W	1
C270	403 034 9900	CERAMIC 100P K 500V	1	R222	401 024 7707	CARBON 100K JA 1/6W	1
C271	403 034 9900	CERAMIC 100P K 500V	1	R223	401 024 7707	CARBON 100K JA 1/6W	1
C272	403 034 9900	CERAMIC 100P K 500V	1	R224	401 024 7707	CARBON 100K JA 1/6W	1
C273	403 036 6600	CERAMIC 8P D 500V	1	R225	401 024 7707	CARBON 100K JA 1/6W	1
C274	403 036 6600	CERAMIC 8P D 500V	1	R226	401 024 7707	CARBON 100K JA 1/6W	1
C275	403 062 0900	POLYESTER 0.047U K 50V	1	R227	401 024 7707	CARBON 100K JA 1/6W	1
C276	403 062 0900	POLYESTER 0.047U K 50V	1	R228	401 024 7707	CARBON 100K JA 1/6W	1
C277	403 054 9706	ELECT 47U M 100V	1	R229	401 027 0507	CARBON 470K JA 1/6W	1
C278	403 054 9706	ELECT 47U M 100V	1	R230	401 027 0507	CARBON 470K JA 1/6W	1
C279	403 054 9706	ELECT 47U M 100V	1	R231	401 025 8703	CARBON 220K JA 1/6W	1
C280	403 054 9706	ELECT 47U M 100V	1	R232	401 025 8703	CARBON 220K JA 1/6W	1
C281	403 068 9402	CERAMIC 100P K 50V	1	R233	401 012 5708	CARBON 1K JA 1/4W	1
C282	403 068 9402	CERAMIC 100P K 50V	1	R234	401 012 5708	CARBON 1K JA 1/4W	1
C283	404 012 7000	CERAMIC 0.01U P 500V	1	R235	401 018 2800	CARBON 330 JA 1/4W	1
C284	404 012 7000	CERAMIC 0.01U P 500V	1	R236	401 018 2800	CARBON 330 JA 1/4W	1
C289	403 041 3304	ELECT 47U M 10V	1	R237	401 024 7400	CARBON 10K JA 1/6W	1
C290	403 042 0302	ELECT 10U M 16V	1	R241	401 026 1307	CARBON 27K JA 1/6W	1
C292	404 012 7000	CERAMIC 0.01U P 500V	1	R242	401 026 1307	CARBON 27K JA 1/6W	1
C293	404 012 7000	CERAMIC 0.01U P 500V	1	R243	401 025 0004	CARBON 120K JA 1/6W	1
C294	404 012 7000	CERAMIC 0.01U P 500V	1	R244	401 025 0004	CARBON 120K JA 1/6W	1
C295	404 012 7000	CERAMIC 0.01U P 500V	1	R245	401 024 7707	CARBON 100K JA 1/6W	1
C296	403 052 9609	ELECT 1000U M 35V	1	R246	401 024 7707	CARBON 100K JA 1/6W	1
C297	403 052 9609	ELECT 1000U M 35V	1	R247	401 026 4308	CARBON 3.3K JA 1/6W	1
C298	404 012 7000	CERAMIC 0.01U P 500V	1	R248	401 026 4308	CARBON 3.3K JA 1/6W	1
C299	404 012 7000	CERAMIC 0.01U P 500V	1	R249	401 026 1000	CARBON 2.7K JA 1/6W	1
C300	404 012 7000	CERAMIC 0.01U P 500V	1	R250	401 026 1000	CARBON 2.7K JA 1/6W	1
C301	404 012 7000	CERAMIC 0.01U P 500V	1	R251	401 024 7400	CARBON 10K JA 1/6W	1
C302	404 043 0001	ELECT 6800U M 63V	1	R252	401 024 7400	CARBON 10K JA 1/6W	1
or	404 040 4101	ELECT 6800U M 63V	1	R253	401 027 2600	CARBON 5.6K JA 1/6W	1
C303	404 043 0001	ELECT 6800U M 63V	1	R254	401 027 2600	CARBON 5.6K JA 1/6W	1
or	404 040 4101	ELECT 6800U M 63V	1	R267	401 012 5708	CARBON 1K JA 1/4W	1
C304	403 044 8207	ELECT 10U M 25V	1	R268	401 012 5708	CARBON 1K JA 1/4W	1
C305	403 044 8207	ELECT 10U M 25V	1	R269	401 026 1000	CARBON 2.7K JA 1/6W	1
C306	403 044 8207	ELECT 10U M 25V	1	R270	401 026 1000	CARBON 2.7K JA 1/6W	1
C307	403 044 8207	ELECT 10U M 25V	1	R271	401 016 1508	CARBON 22 JA 1/4W	1
C308	403 042 0302	ELECT 10U M 16V	1	R272	401 016 1508	CARBON 22 JA 1/4W	1
C309	403 039 7802	ELECT 100U M 10V	1	R273	401 024 7400	CARBON 10K JA 1/6W	1
C317	403 042 0302	ELECT 10U M 16V	1	R274	401 024 7400	CARBON 10K JA 1/6W	1
C318	403 039 7802	ELECT 100U M 10V	1	R275	401 024 7400	CARBON 10K JA 1/6W	1
C319	△ 620 006 6679	Capacitor 0.01MF400V	1	R277	401 012 5708	CARBON 1K JA 1/4W	1
C321	403 068 9402	CERAMIC 100P K 50V	1	R278	401 012 5708	CARBON 1K JA 1/4W	1
C322	403 068 9402	CERAMIC 100P K 50V	1	R279	401 016 2604	CARBON 220 JA 1/4W	1
C323	403 034 8101	CERAMIC 1P C 500V	1	R280	401 016 2604	CARBON 220 JA 1/4W	1
C324	403 034 8101	CERAMIC 1P C 500V	1	R281	401 025 8208	CARBON 22K JA 1/6W	1
C325	403 047 1502	ELECT 4.7U M 25V	1	R282	401 025 8208	CARBON 22K JA 1/6W	1
C326	403 044 8207	ELECT 10U M 25V	1	R283	401 024 7004	CARBON 1K JA 1/6W	1
C329	403 009 3100	CERAMIC 100P J 50V	1	R284	401 024 7004	CARBON 1K JA 1/6W	1
C330	403 009 3100	CERAMIC 100P J 50V	1	R285	401 027 0309	CARBON 47K JA 1/6W	1
C331	403 006 4209	CERAMIC 1P C 50V	1	R286	401 027 0309	CARBON 47K JA 1/6W	1
C332	403 006 4209	CERAMIC 1P C 50V	1	R287	401 025 9502	CARBON 240 JA 1/6W	1
C345	403 068 9402	CERAMIC 100P K 50V	1	R288	401 025 9502	CARBON 240 JA 1/6W	1
C346	403 068 9402	CERAMIC 100P K 50V	1	R289	401 024 9701	CARBON 12K JA 1/6W	1
C347	403 068 9402	CERAMIC 100P K 50V	1	R290	401 024 9701	CARBON 12K JA 1/6W	1
C348	403 068 9402	CERAMIC 100P K 50V	1	R293	401 024 9701	CARBON 12K JA 1/6W	1
C349	403 068 9402	CERAMIC 100P K 50V	1	R294	401 024 9701	CARBON 12K JA 1/6W	1
C350	403 068 9402	CERAMIC 100P K 50V	1	R295	401 025 7805	CARBON 2.2K JA 1/6W	1
C351	403 068 9402	CERAMIC 100P K 50V	1	R296	401 025 7805	CARBON 2.2K JA 1/6W	1
C352	403 068 9402	CERAMIC 100P K 50V	1	R299	401 025 7805	CARBON 2.2K JA 1/6W	1
R201	401 024 7004	CARBON 1K JA 1/6W	1	R300	401 025 7805	CARBON 2.2K JA 1/6W	1
R202	401 024 7004	CARBON 1K JA 1/6W	1	R301	402 035 9902	FUSIBLE RES 82 J-1/4 W	1



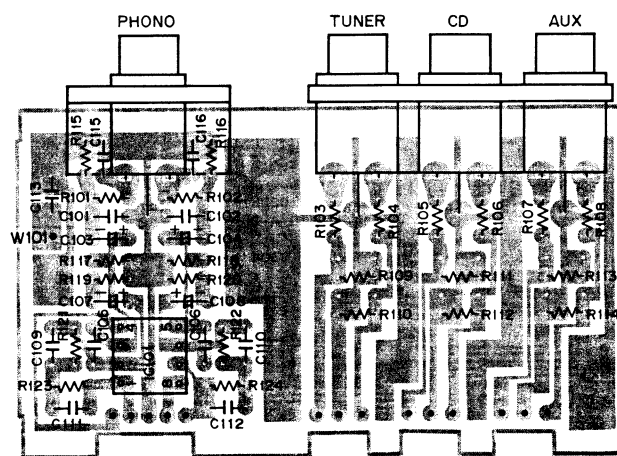
**MICOM PRINTED CIRCUIT BOARD  
(BOTTOM VIEW)**



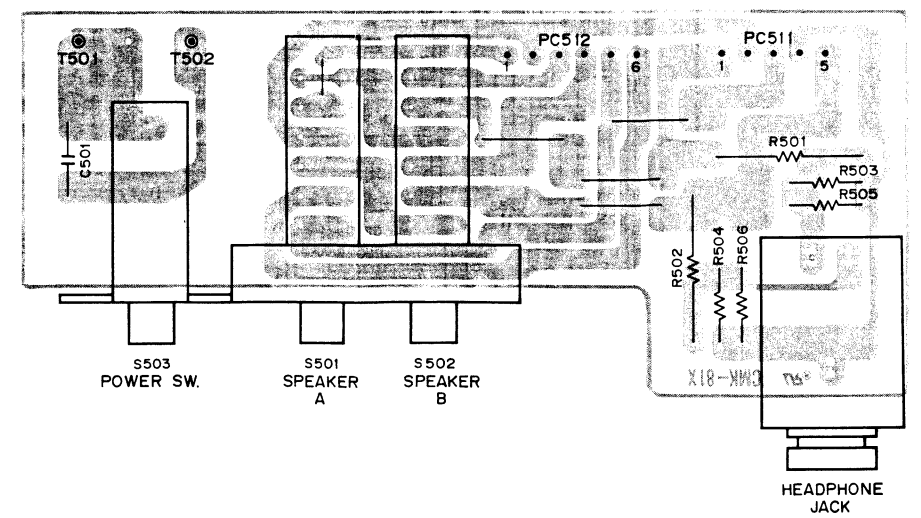
**SUB TRANS PRINTED CIRCUIT BOARD  
(BOTTOM VIEW)**



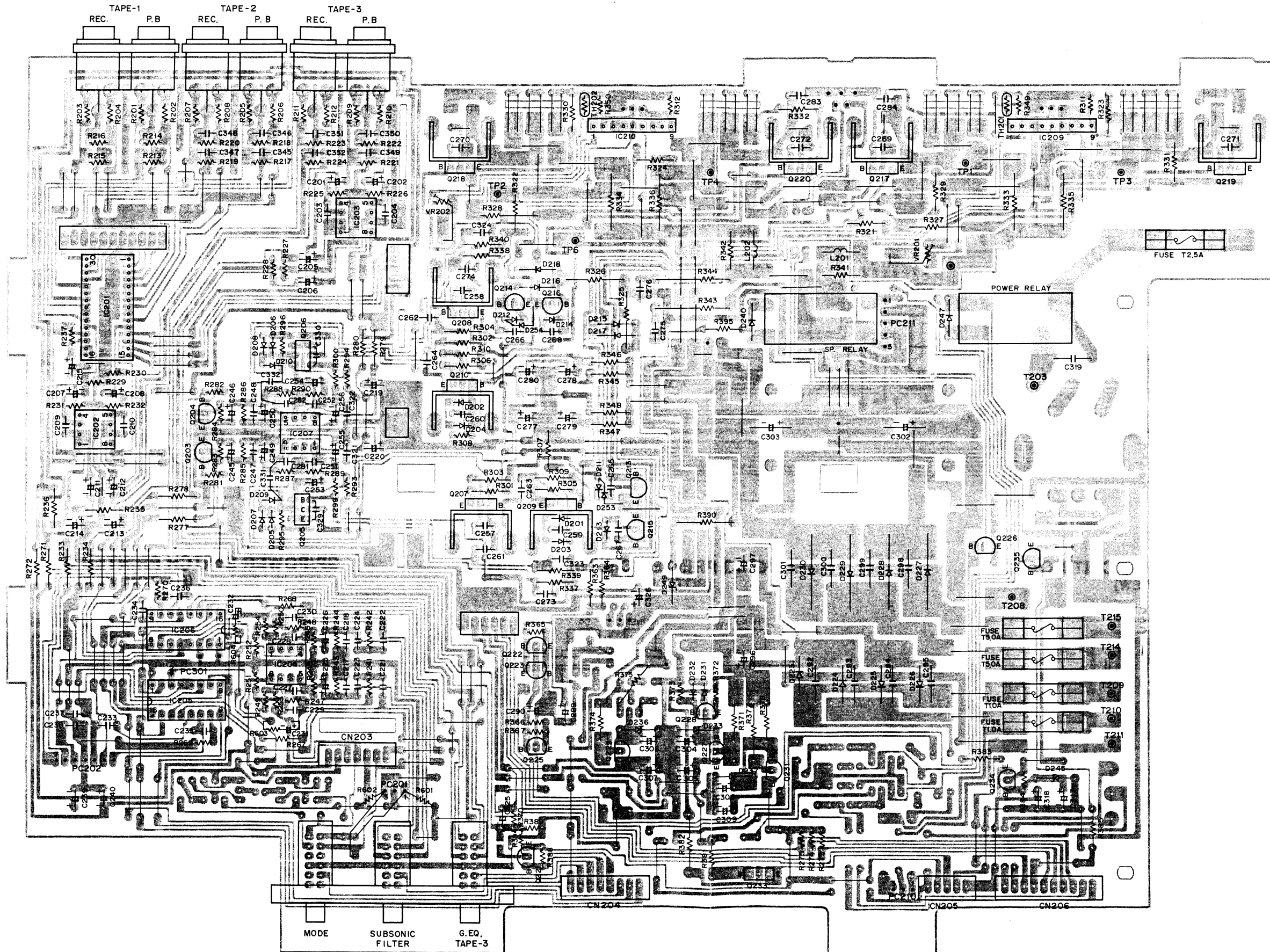
**PHONO EQ PRINTED CIRCUIT BOARD  
(BOTTOM VIEW)**



**SP/POWER SWITCH PRINTED CIRCUIT BOARD  
(BOTTOM VIEW)**



**MAIN PRINTED CIRCUIT BOARD  
(BOTTOM VIEW)**



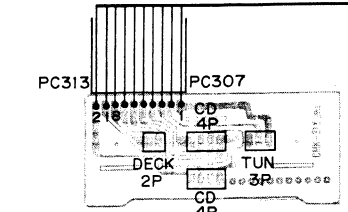
# POINT TO POINT WIRING DIAGRAM

SP TERMINAL P.C. BOARD  
SP-2 P.C. BOARD

AC OUTLET P.C. BOARD

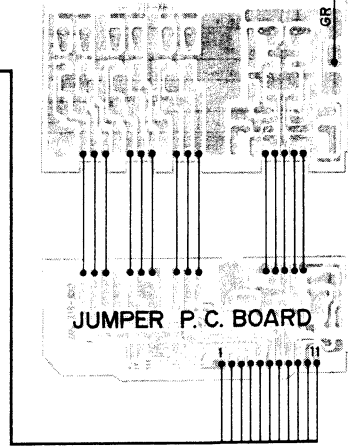
BIAS P.C. BOARD

BIAS P.C. BOARD



REMOCON P.C. BOARD

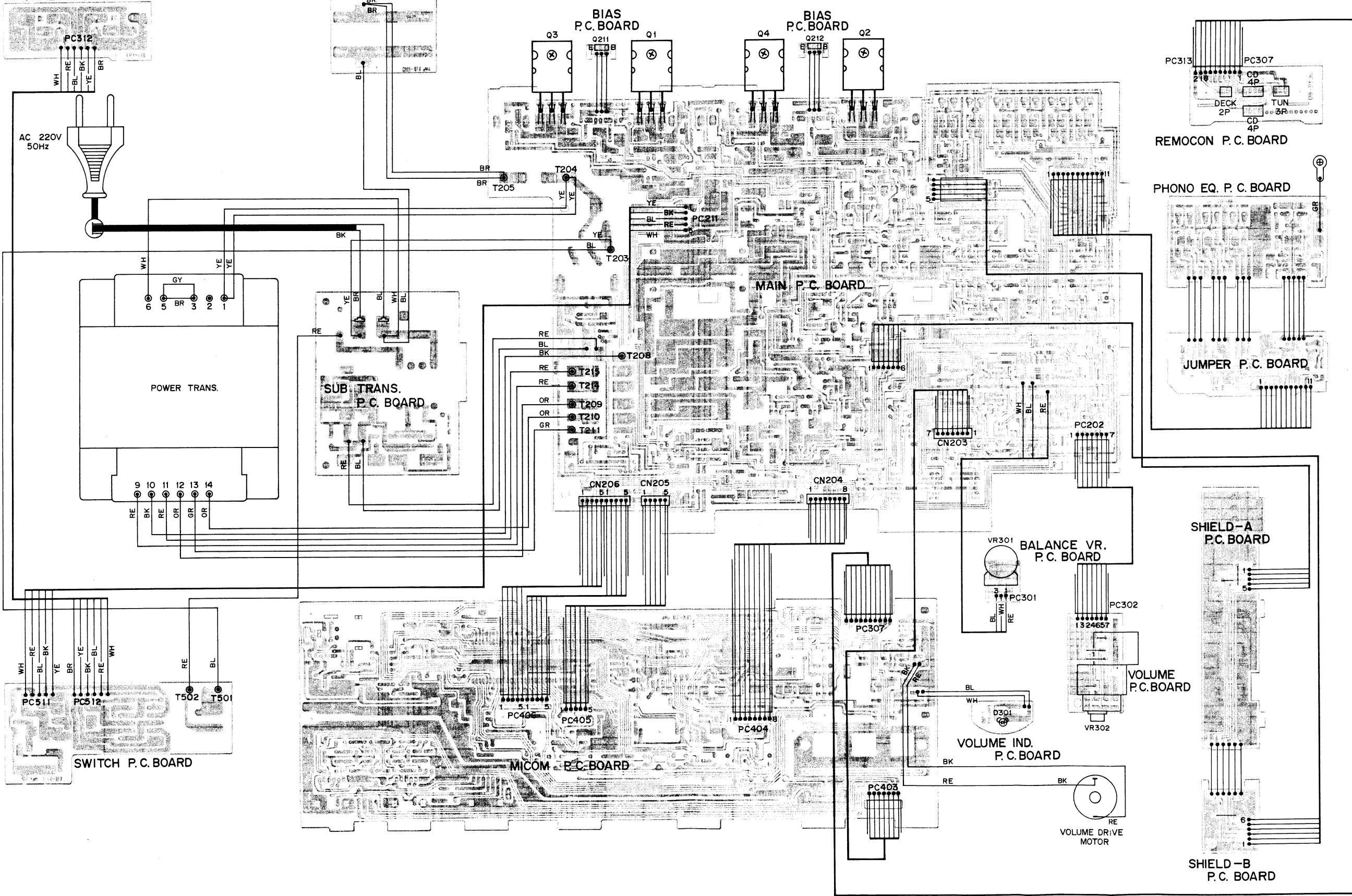
PHONO EQ. P.C. BOARD



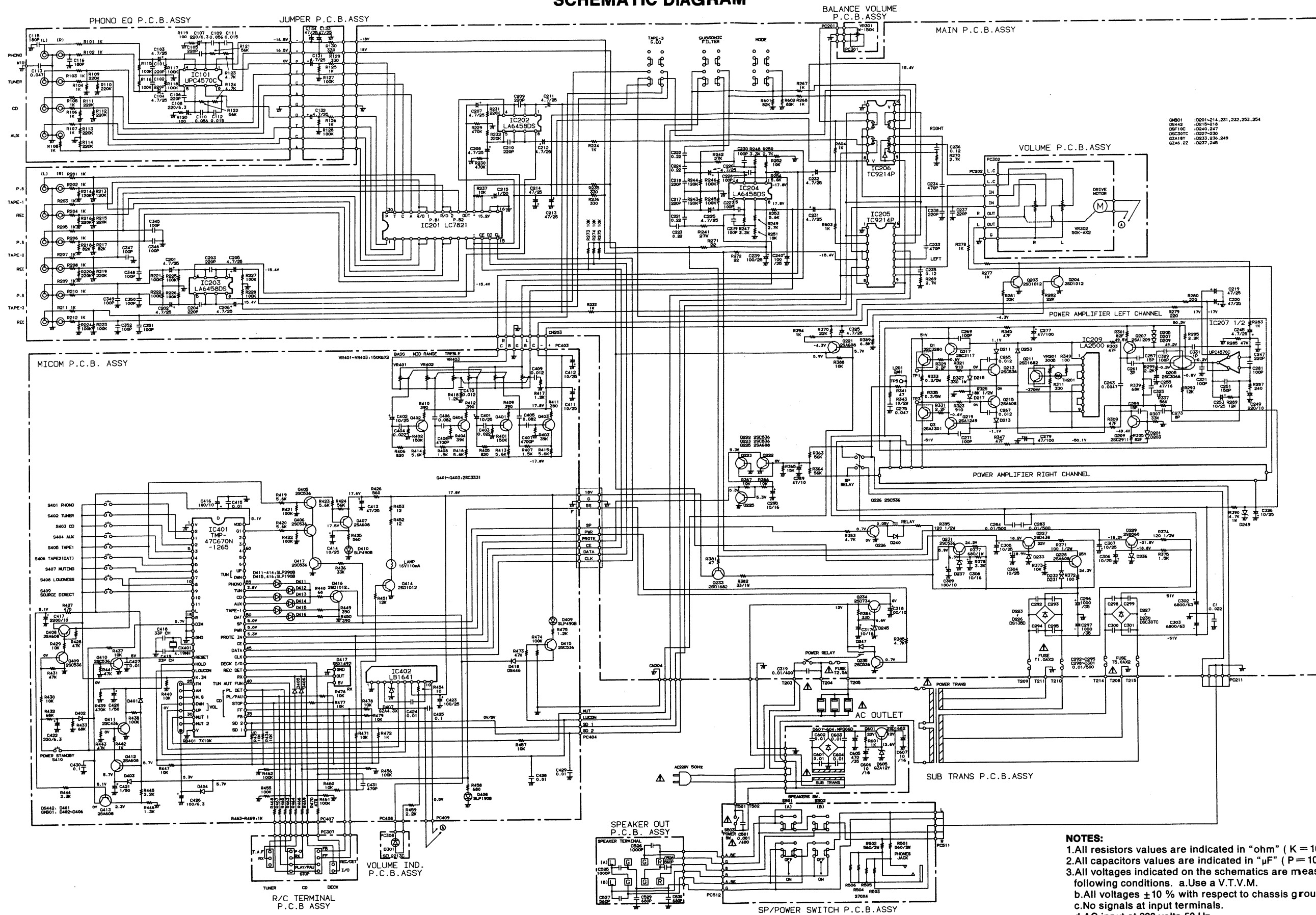
JUMPER P.C. BOARD

SHIELD-A P.C. BOARD

SHIELD-B P.C. BOARD

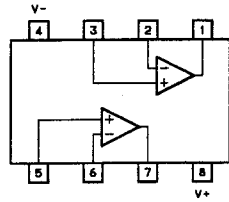


# SCHEMATIC DIAGRAM

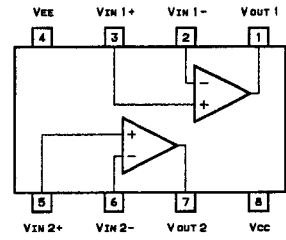


### IC BLOCK DIAGRAM

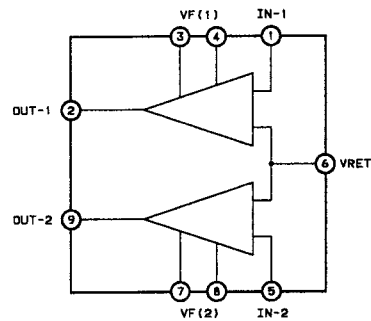
UPC4570C BLOCK DIAGRAM



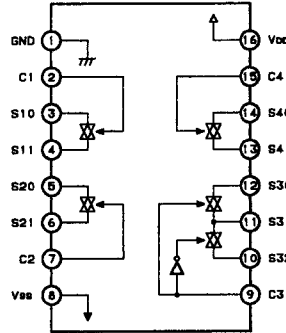
LA6458DS BLOCK DIAGRAM



LA2500 BLOCK DIAGRAM

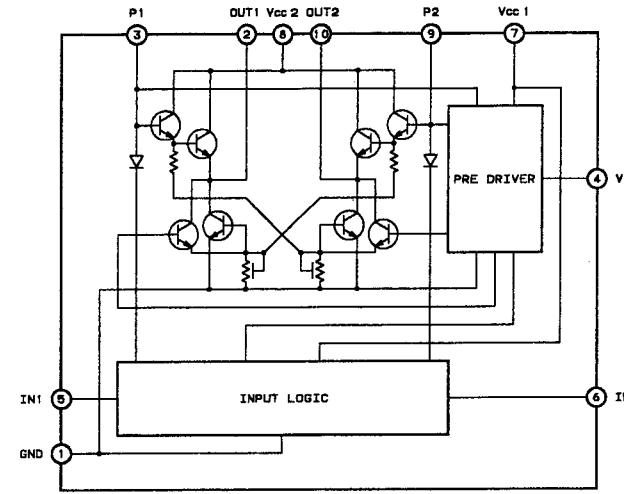


TC9214P BLOCK DIAGRAM

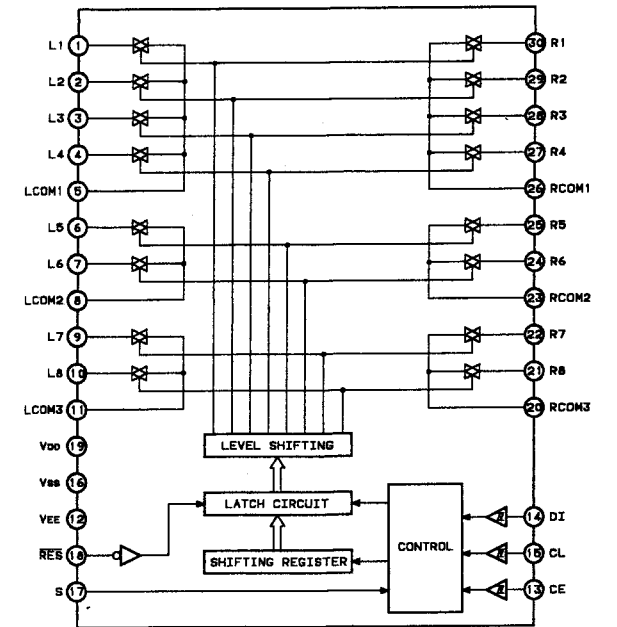


### IC BLOCK DIAGRAM (Continued)

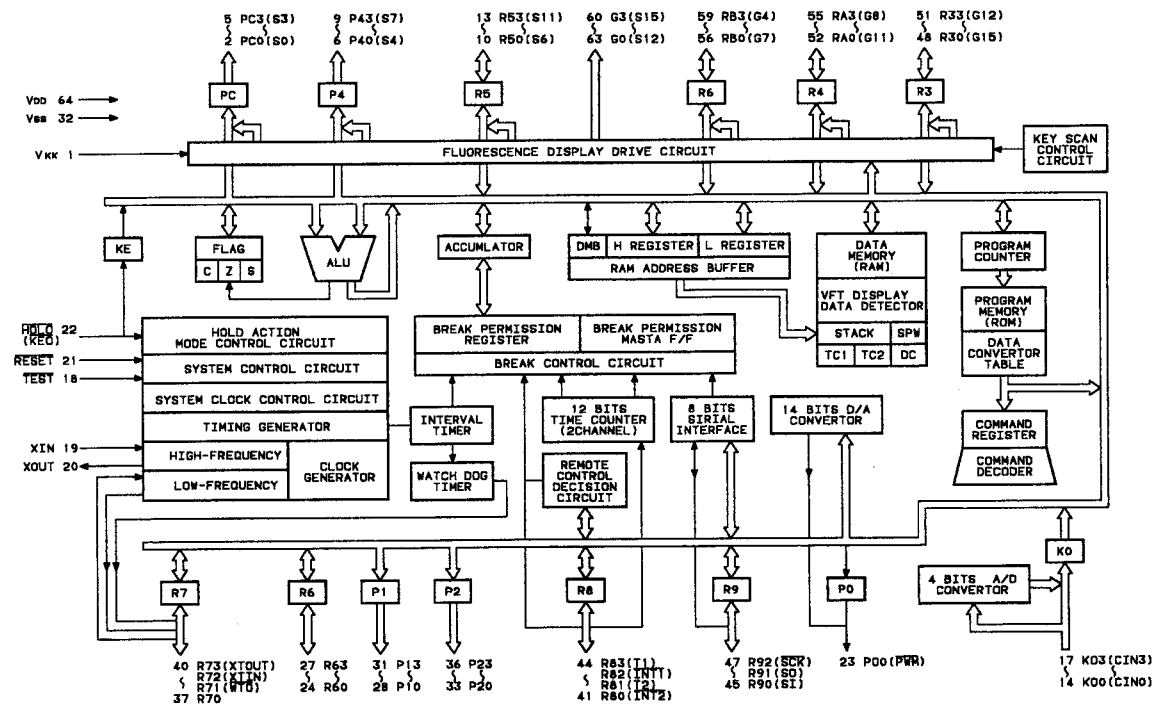
LB1641 BLOCK DIAGRAM



LC7821 BLOCK DIAGRAM



TMP47C670N-1265 BLOCK DIAGRAM

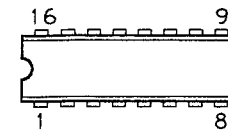


### IC & TRANSISTOR LEAD IDENTIFICATION

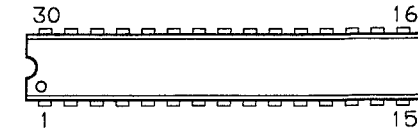
TRANSISTOR	FRONT VIEW	BOTTOM VIEW	TRANSISTOR	FRONT VIEW	BOTTOM VIEW
2SA608 2SC3331 2SC536 2SD734			2SB560 2SD438		
2SA1209 2SA1249 2SC2911 2SC3117			2SA1301 2SC3280		
2SD1012			2SC3066		
2SD1682					
<b>TERMINAL NAME</b>					
B → BASE C → COLLECTOR E → EMITTER					

### IC & TRANSISTOR LEAD IDENTIFICATION (Continued)

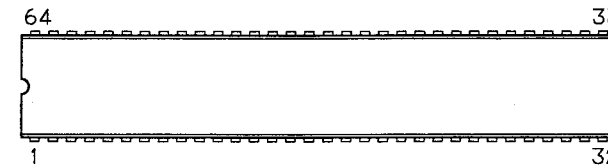
TC9214P TOP VIEW



LC7821 TOP VIEW



TMP47C670N-1265 TOP VIEW



Bezeichnung/Description

SERVICE MANUAL

Teil-Nr./Parts No.

WM570333

Menge/Quantity

1

Lagerort

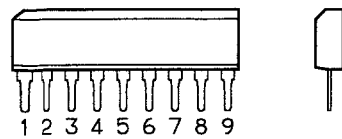
33A04

LS-Nr.

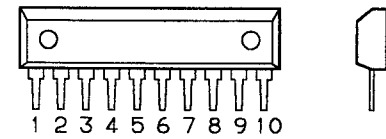
720099 / 16

SANYO FISHER Vertriebs GmbH

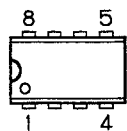
LA2500 FRONT/SIDE VIEWS



LB1641 FRONT/SIDE VIEWS



UPC4570C TOP VIEW



LA6458DS TOP VIEW

